

# TECHNICAL DATA

## PERFORMANCE

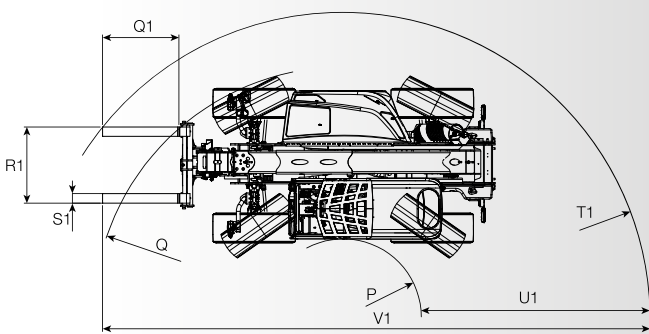
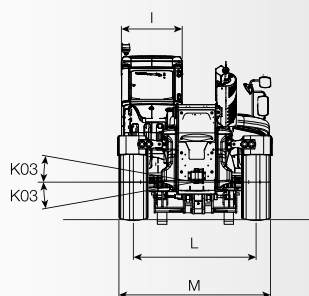
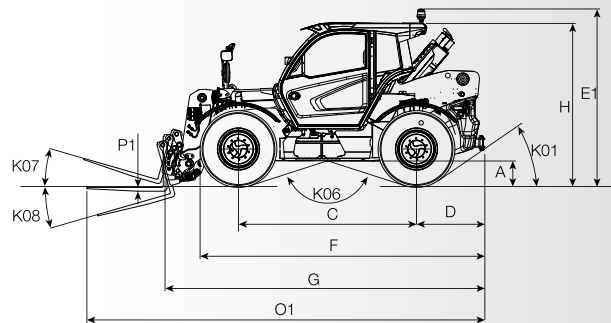
Vehicle model	AGRI MAX 50.8	AGRI MAX 60.9	AGRI MAX 65.8	AGRI MAX 75.10
Maximum capacity	5000 kg (11023 lb)	6000 kg (13228 lb)	6500 kg (14330 lb)	7500 kg (16535 lb)
Maximum lifting height	7,70 m (25,3 ft)	8,60 m (28,2 ft)	7,70 m (25,3 ft)	9,65 m (31,7 ft)
Pull-out force	8900 daN (20008 lbf)	8900 daN (20008 lbf)	8900 daN (20008 lbf)	10600 daN (23830 lbf)
Towing force	8535 daN (19300 lbf)	8535 daN (19300 lbf)	8535 daN (19300 lbf)	8360 daN (18794 lbf)
Maximum climb angle	40%	40%	40%	40%
Unladen weight	10560 kg (23281 lb)	11500 kg (25353 lb)	11300 kg (24912 lb)	12800 kg (28219 lb)
Max speed (referred to wheels with maximum permitted diameter)	40 km/h (24,9 mph)	40 km/h (24,9 mph)	40 km/h (24,9 mph)	40 km/h (24,9 mph)

## ENGINE

Vehicle model	AGRI MAX 50.8	AGRI MAX 60.9	AGRI MAX 65.8	AGRI MAX 75.10
Brand	FPT	FPT	FPT	FPT
Nominal power	125 kW (168 HP)	125 kW (168 HP)	125 kW (168 HP)	103 kW (138 HP)
@rpm	2200 rpm	2200 rpm	2200 rpm	2200 rpm
Peak power	128 kW (172 HP)	128 kW (172 HP)	128 kW (172 HP)	114 kW (153 HP)
@rpm	1900 rpm	1900 rpm	1900 rpm	1800 rpm
Displacement	4485 cm <sup>3</sup> (274 in <sup>3</sup> )	4485 cm <sup>3</sup> (274 in <sup>3</sup> )	4485 cm <sup>3</sup> (274 in <sup>3</sup> )	4485 cm <sup>3</sup> (274 in <sup>3</sup> )
Emission standard	Stage IV/Tier 4f	Stage IV/Tier 4f	Stage IV/Tier 4f	Stage V/Tier 4f
Exhaust gas treatment	DOC+SCR	DOC+SCR	DOC+SCR	(DOC + SCR)F
Intake	16-valve turbo compressor, aftercooler	16-valve turbo compressor, aftercooler	16-valve turbo compressor, aftercooler	16-valve turbocharger with aftercooler

## HYDRAULIC SYSTEM

Vehicle model	AGRI MAX 50.8	AGRI MAX 60.9	AGRI MAX 65.8	AGRI MAX 75.10
Hydraulic pump type	Piston pump with variable flow rate for power steering and movements. Gear pumps for Fan Drive with fan reversal	Piston pump with variable flow rate for power steering and movements. Gear pumps for Fan Drive with fan reversal	Piston pump with variable flow rate for power steering and movements. Gear pumps for Fan Drive with fan reversal	Piston pump with variable flow rate for power steering and movements. Gear pump for Fan Drive.
Hydraulic pump capacity	247 L/min (65,3 gal/min)	247 L/min (65,3 gal/min)	247 L/min (65,3 gal/min)	160 L/min (42,3 gal/min)
Max. operating pressure	26,0 MPa (3771 psi)	26,0 MPa (3771 psi)	26,0 MPa (3771 psi)	26,0 MPa (3771 psi)
Distributor control	4 in 1 proportional Joystick with FNR	4 in 1 proportional Joystick with FNR	4 in 1 proportional Joystick with FNR	4 in 1 proportional Joystick with FNR



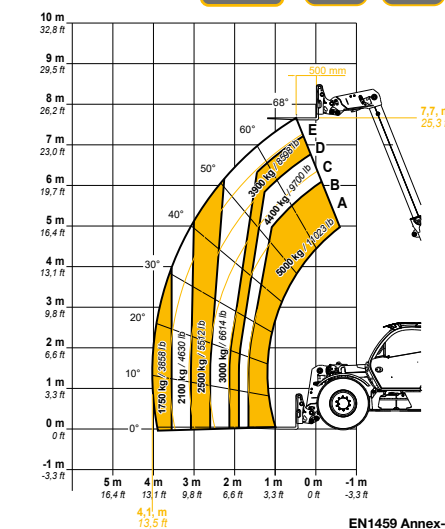
## TRANSMISSION

Vehicle model	AGRI MAX 50.8 - 60.9 - 65.8	AGRI MAX 75.10
Transmission type	Hydrostatic Vario System EVO2 electronically controlled with 2 hydrostatic motors with continuous automatic adjustment	Hydrostatic with variable displacement pump
Hydraulic motor	2 Hydraulic motors with continuous automatic adjustment	Hydrostatic with continuous automatic adjustment
Reversal	With electronic control operated with vehicle in motion	Electro-Hydraulic
Inching	With electronic pedal for controlled forward movement	With hydraulic pedal for controlled forward movement

## DIMENSIONS

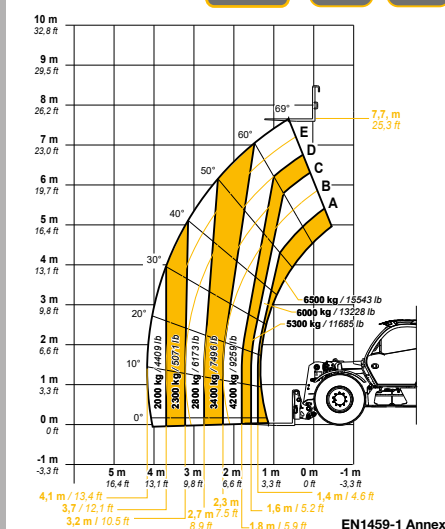
	AGRI MAX 50.8	AGRI MAX 60.9	AGRI MAX 65.8	AGRI MAX 75.10
A	400 mm (15,7 in)	400 mm (15,7 in)	400 mm (15,7 in)	390 mm (15,4 in)
C	2800 mm (110,2 in)	2800 mm (110,2 in)	2800 mm (110,2 in)	2950 mm (116,1 in)
D	1037 mm (40,8 in)	1037 mm (40,8 in)	1037 mm (40,8 in)	1445 mm (56,9 in)
E1	2800 mm (110,2 in)	2800 mm (110,2 in)	2800 mm (110,2 in)	2900 mm (114,2 in)
F	4442 mm (174,9 in)	4442 mm (174,9 in)	4442 mm (174,9 in)	4990 mm (196,5 in)
G	5023 mm (197,8 in)	5373 mm (211,5 in)	5023 mm (197,8 in)	5910 mm (232,7 in)
H	2545 mm (100,2 in)	2545 mm (100,2 in)	2545 mm (100,2 in)	2640 mm (103,9 in)
I	960 mm (37,8 in)	960 mm (37,8 in)	960 mm (37,8 in)	960 mm (37,8 in)
K01	37°	37°	37°	25°
K03	10°	10°	10°	10°
K06	144°	144°	144°	145°
K07	16°	16°	16°	13°
K08	131°	131°	131°	113°
L	1930 mm (76 in)	1930 mm (76 in)	1930 mm (76 in)	1930 mm (76 in)
M	2375 mm (93,5 in)	2390 mm (94,1 in)	2375 mm (93,5 in)	2390 mm (94,1 in)
O1	6223 mm (245 in)	6573 mm (258,8 in)	6223 mm (245 in)	7260 mm (285,8 in)
P	1229 mm (48,4 in)	1229 mm (48,4 in)	1229 mm (48,4 in)	1325 mm (52,2 in)
P1	60 mm (2,4 in)	60 mm (2,4 in)	60 mm (2,4 in)	80 mm (3,1 in)
Q	3933 mm (154,8 in)	3933 mm (154,8 in)	3933 mm (154,8 in)	4035 mm (158,9 in)
Q1	1200 mm (47,2 in)	1200 mm (47,2 in)	1200 mm (47,2 in)	1200 mm (47,2 in)
R1	1200 mm (47,2 in)	1200 mm (47,2 in)	1200 mm (47,2 in)	1230 mm (48,4 in)
S1	150 mm (5,9 in)	150 mm (5,9 in)	150 mm (5,9 in)	200 mm (7,9 in)
T1	4824 mm (189,9 in)	5104 mm (200,9 in)	4824 mm (189,9 in)	5330 mm (209,8 in)
U1	3596 mm (141,6 in)	3875 mm (152,6 in)	3596 mm (141,6 in)	4000 mm (157,5 in)
V1	8613 mm (339,1 in)	-	8613 mm (339,1 in)	9665 mm (380,5 in)

## MAX 5000 kg / 11023 lb



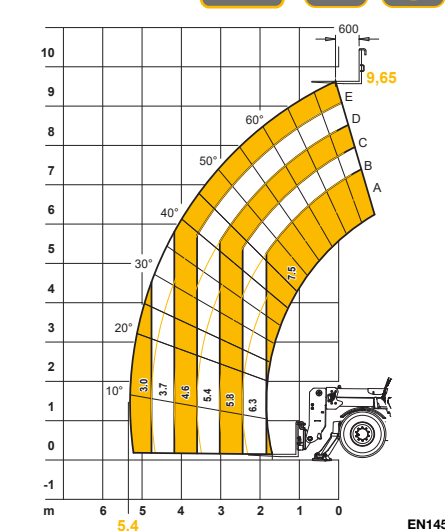
50.8

## MAX 6500 kg / 14330 lb



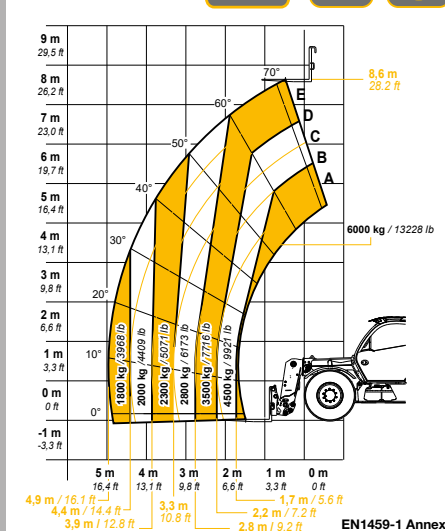
65.9

## MAX 7500 kg / 16535 lb



75.10

## MAX 6000 kg / 13228 lb



60.9